

BES5A

5" 2-way Active Studio Monitor

Project/ Home Studio

Near Field Monitoring

DAW workstation

Home Theaters



Specifications

Type	Bi-amp 2-way Active Speaker
Crossover Frequency	2.5 kHz, 24dB/oct
Overall Frequency Response	50Hz - 22kHz
Maximum Output Level	101dB, 1m on Axis
Magnetic Shielding	Yes
Components LF/ HF	5"/ 1" titanium dome
Enclosure Type, Material	Bass-Reflex, PP
Output Power LF/ HF	40W/ 30W
Signal to Noise Ratio	>=93dB
Input Sensitivity, VR @ center	XLR: +4dBu 1/4": -10dBu
connectors	XLR & 1/4"
Controls	Volume at the front Power on/off at the front TRIM for HF: +1.5/ 0/ -1.5dB@ 15 kHz TRIM for LF: +1.5/ 0/ -1.5dB@ 60 Hz
Indicators	Green for Power and red for clipping
Power Consumption	60W
Dimension (WxHxD)	287 x 178 x 217 mm 11.3" x 7" x 8.5"
Net Weight (one speaker)	6.4kg (14.1 lbs)
Shipping Weight (two speakers)	16kg (35.2 lbs)

General Description

The Superlux BES5A is a very compact bi-amplified active monitor speaker. Its bassreflex system delivers outstanding monitoring precision for digital or analog production in stereo or surround formats, with performance comparable to much larger systems. Advanced driver and enclosure design are carefully matched with superior amplifier and electronic circuitry.

Bass response has been widened down to 50Hz while distortion is substantially lower. The BES5A's excellent directivity characteristics and accurate imaging together with its compact size and flexible connectivity make the BES5A the perfect monitoring tool for a wide range of applications.

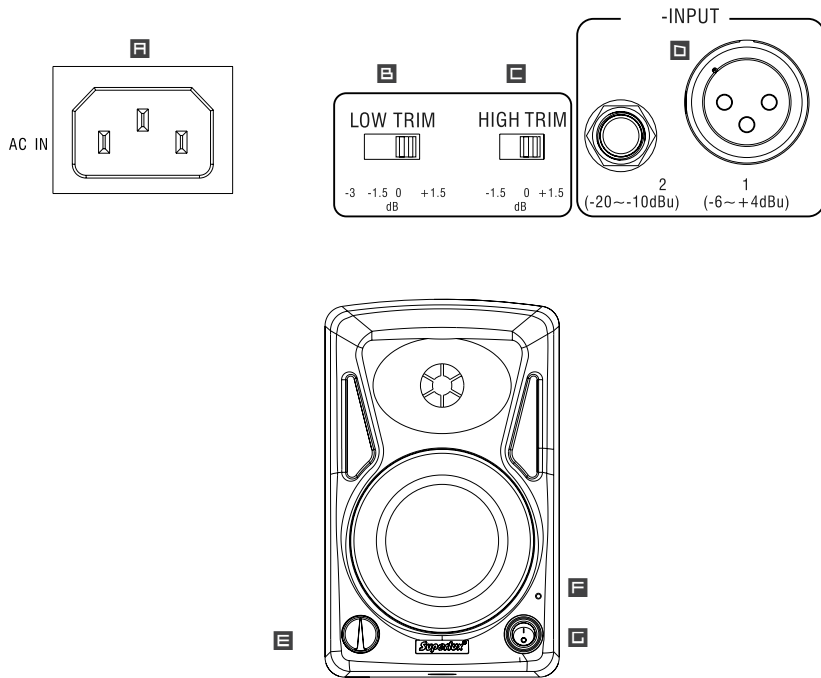
Features

- Integrated die-cast heat-sink and back panel ensures the ultimate efficient cooling
- Advanced bi-amplified power, 40W for LF and 30W for HF
- 5" cone woofer and 1" titanium dome high frequency drivers
- Frequency response 50Hz- 22kHz
- XLR balanced input and 1/4" unbalanced input.
- TRIM Control for High and Low
- Magnetic shielding

BES5A Part Numbers

- 120V WH00BES5A0100
- 230V WH00BES5A0101

Rear Panel



AC IN

This is where you connect the supplied AC linecord to provide AC power to the BES5A.

LOW TRIM

With this low trim setting, you may give boost or cut at around 60Hz by -3dB, +1.5dB or -1.5dB.

HIGH TRIM

With this high trim setting, you may give boost or cut at around 15kHz by +1.5dB or -1.5dB.

INPUT 1 2

The XLR and 1/4" input jacks accept balanced or unbalanced line signal. Only one of them can be used and do not plug in both at the same time.

LEVEL

This knob will determine the overall output level.

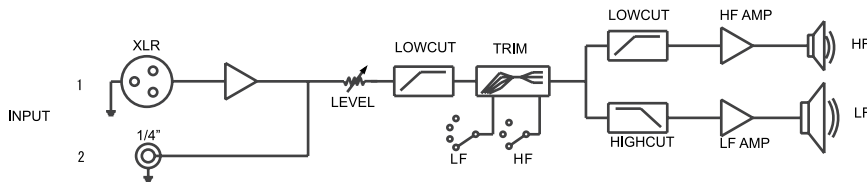
POWER INDICATOR

The power indicator will light green when the power is turned on. It will flash red when clipping happen.

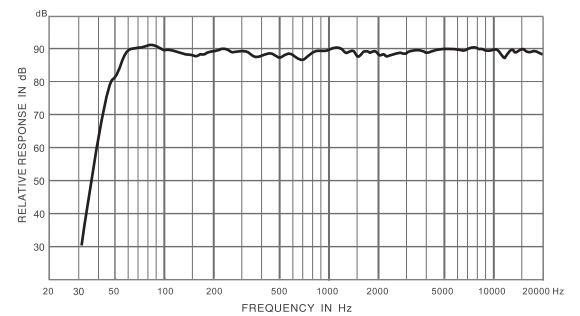
POWER

Switch up to turn the BES5A on and switch down to turn it off. Make sure the level control is down before you turn it on.

Block Diagram



Frequency Response



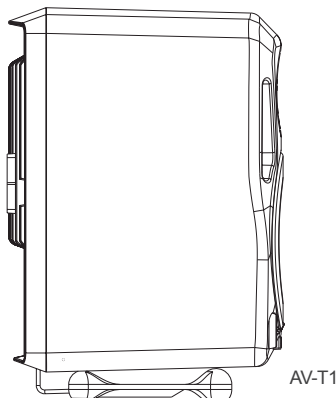
Performance Match

BES110A,
10" active subwoofer loudspeaker

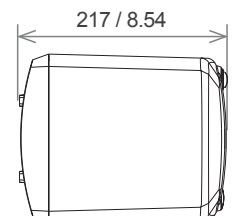
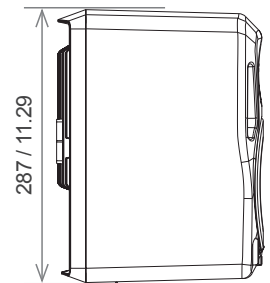
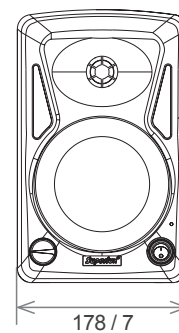


Optional Accessories

Anti-vibration table stand
model# AV-T1



Dimensions



mm / inch.